

# SeaView

T W O   T H O U S A N D   O N E



**NRV**  
LIVE  
NATIONAL R.V., INC.

Specifications • Floorplans

---

*The 2001 Sea View is more durable and dependable than ever! We've combined the beauty of high gloss gel-coat fiberglass walls and caps with the rugged reliability of Centrex compartment doors. This forgiving material will stand up to the toughest wear you can dish out while retaining its attractive appearance. While outdoor enthusiasts will enjoy this exterior, families will delight in the comfort and amenities of its lavish interior. From Dupont Corian® galley countertops to huge slide-out rooms, the Sea View has the best combination of features in its class. Check out a Sea View today...You won't find a more durable or beautiful coach for the money.*

---

Standard Features

PAGE

**2 Body Construction**

**2 Electrical System & Lights**

**3 Interiors**

**3 Cockpit Features**

**4 Chassis, Engine and Suspension**

**4 Heating, Vents and Air Conditioning**

**5 Appliances and Accessories**

**6 Windows, Doors and Awnings**

**6 Safety Features**

**6 Plumbing and LPG Systems**

**7 Optional Features**

**7 Floorplans**

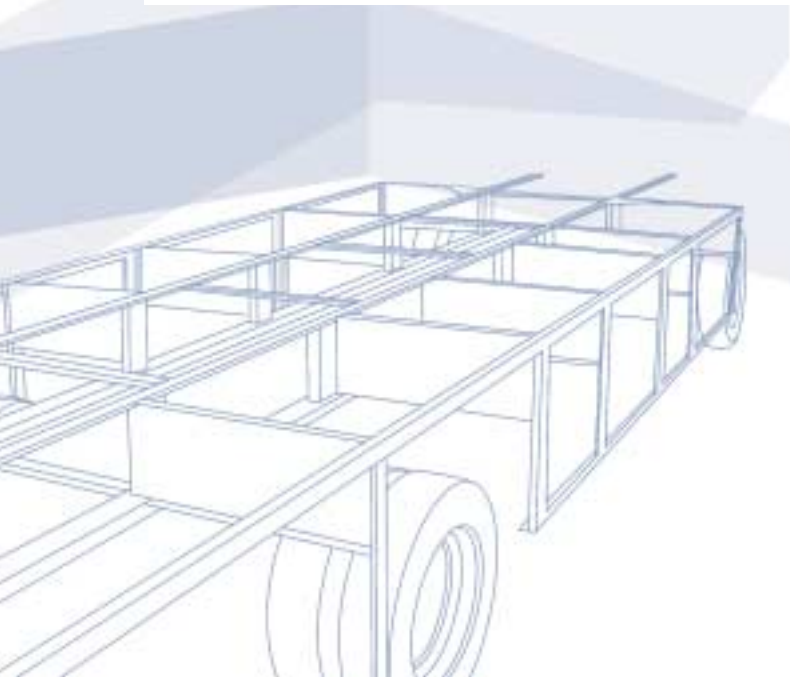
**9 Measurements**

- DURAFRAME<sup>™</sup> Steel Sub Floor Construction
- Steel Framed Laminated Floor
- Steel Framed Laminated High Gloss Gel Coat Fiberglass Walls
- Steel Framed Laminated and Crowned Fiberglass Roof
- Front and Rear Molded Fiberglass Caps
- Full Panoramic Tinted Windshield
- Soft Fabric Ceiling Material
- Custom Vinyl Exterior Graphics
- One Piece Polyethylene Storage Compartments (Roto-Cast)
- National R.V.'s Patented Compartment Doors, featuring Hi-Impact Centrex<sup>®</sup> ABS with Integrated Latches and Hydraulic Struts
- Integrated High Impact Centrex Front and Rear Bumpers
- Exterior Passenger Grab Handle with Light and Interior Switch
- Aluminum Rear Ladder
- Awning Rail with Drain Spouts
- Automotive Undercoating As Required
- Electric Slide Out Room with Overhead Cabinets in Living Area
- Fiberglass Stepwell & Battery Storage Compartment
- Rear Gas Fill

• Body Construction

- 50 AMP 120V Distribution Panel and Cord
- Two 6 Volt Deep Cycle House Batteries
- House Battery Disconnect Switch
- Porch Light
- Patio Receptacle
- Entry Step Light
- Water Pump Switches
- Decorative Dining Light
- Cosmetic Light In Bathroom
- Incandescent Lights in Living Area
- Light in Service Area
- 5.5 KW Generic Generator

• Electrical System & Lights



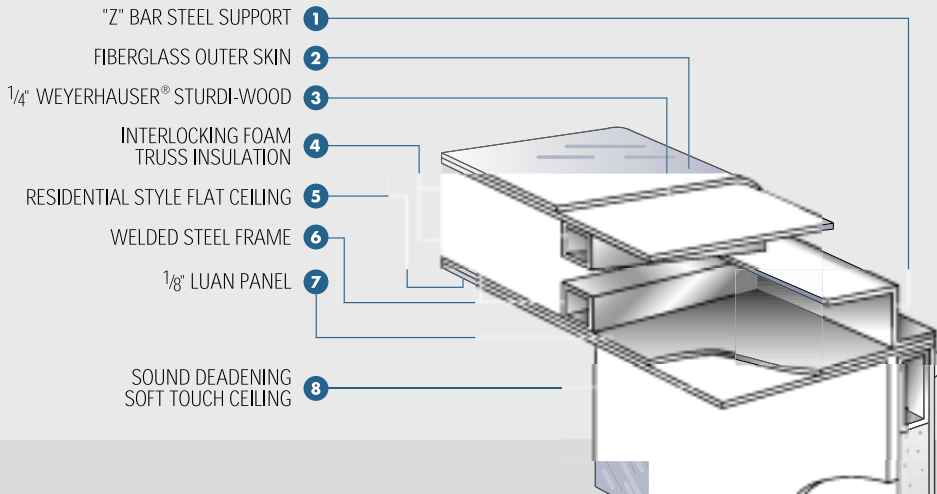
- Praxis Oak Paneling and Doors
- Solid Oak Raised Panel Cabinet Doors in Living Area
- Telestrut Hardware On Overhead Doors and Positive Catches On All Others
- Ball Bearing Roller Guides
- Corian<sup>®</sup> Kitchen Counter Top
- Kitchen Waste Basket
- Medicine Cabinet
- Towel Bars in Bathroom
- Queen Bed (Head-to-Rear) with Shirt Closets and Night Stands (8310, 8330 and 8340)
- Queen Bed (Head-to-Side) with Shirt Closets and Nights Stands (8311 and 8341)
- Radius Padded Headboard
- Color Coordinated Bedspread, Pillows and Shams
- Hide-A-Bed Sleeper Sofa (N/A 8310 or 8311)
- Fold Down Wonderbed Sofa (8310 & 8311)
- Deluxe Rocker Recliner with Swivel Base (8340 and 8341)
- Fold Down Salon Table Behind Passenger Seat (N/A 8310 or 8311)
- Booth Dinette with Slide-Out Lower Storage Drawers (N/A 8331)
- Wall Mounted Dining Table with Two Wooden Chairs and Two Metal Folding Chairs (8331)
- Nylon Carpet and Pad in Living Area, Hallway and Bedroom
- Armstrong<sup>®</sup> Vinyl Flooring in Kitchen
- Day/Night Shades in Lounge
- Mini Blinds and Valances in Kitchen and Bedroom

- AM/FM Cassette Stereo with Four Speakers
- Driver and Passenger Map Light (Dome Light)
- Custom Dash with Full Gauge Package
- Oak Drink/Cup Tray
- Audible Turn Signals
- Pantographic Windshield Wipers
- Power Steering
- Cruise Control
- Tilt Steering Wheel
- Electric Automotive Horn
- Rear Vision System with Rear Microphone Built-In
- Power Heated Remote Mirrors
- Driver and Passenger Recliner Seats
- 4-Point Hydraulic Leveling Jacks with Touchpad Control
- 12V / 120V Receptacle and Telephone Jack in console
- Passenger Work Station
- Generator Hour Meter and Control Switch on Dash
- Auxiliary Start Switch on Dash

- Four Wheel Anti-Lock Disc Brakes
- Electronic Fuel Injection Gasoline Engine - Triton 6.8L V10 (310 HP)
- 415 Cubic Inch Displacement
- 4-Speed Automatic Transmission with Overdrive (4R100)
- 75 Gallon Fuel Tank Capacity
- 115 Amp Alternator (Ford)
- Rear Axle Ratio: 5.38:1
- Front Leaf Spring Suspension – 7,000 lb.
- Rear Leaf Spring Suspension – 13,500 lb.
- Stainless Steel Wheel Liners with Valve Extensions
- Tire and Wheel Size – 245/70R x 19.5F
- Radial Tires with Spare Tire & Wheel
- Class III 5,000 lb. Hitch Receiver and Electrical Connector
- Thermostatically Controlled Dual 13.5M BTU Ducted Roof A/Cs
- Dash Heating and A/C System with Defroster
- Ducted Electronic Ignition Furnace (35M BTU)
- 12V Exhaust Roof Vent in Bathroom
- 12V Attic Fan with Wall Thermostat and Rain Sensor

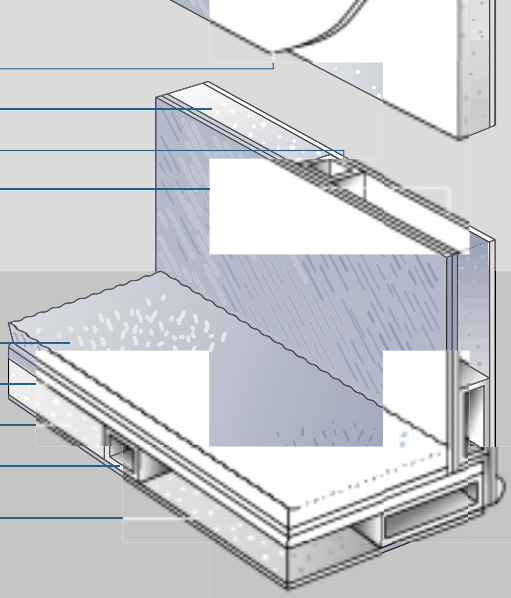
• Chassis, Engine and Suspension

• Heating, Vents and Air Conditioning



- VINYL CLAD OVER 1/4" MAHOGANY LUAN 9
- 2 LB. PRECISION FIT FOAM INSULATION 10
- WELDED STEEL FRAME 11
- HIGH-GLOSS "MENDE" FIBERGLASS OUTER SKIN 12

- QUALITY FLOOR COVERINGS 13
- 1/4" ACX PLYWOOD DECKING 14
- 3 LB. PRECISION FIT FOAM INSULATION 15
- WELDED STEEL FRAME CONSTRUCTION 16
- 1/8" MAHOGANY LUAN WITH VINYL TRUE GRIT BONDED UNDERSIDE SEAL 17



- 8 Cu. Ft. Double Door Gas/Electric Refrigerator
- High Output Three-Burner Cook Top
- Bi-Fold Range Cover with Corian® Top
- Space Saver Convection Microwave with Touch Control and Range Hood
- TV Antenna and Booster with 12V Receptacle and TV Jack(s)
- Dust Buster Vacuum
- Coffee Maker
- Wall Mounted Hair Dryer in Bathroom
- 19" Color TV in Living Area (8311 and 8341)
- Systems Monitor Panel
- Cable TV Hook-Up and Telephone Jacks

• Appliances and Accessories



• Windows, Doors and Awnings

- Radius Tinted Safety Glass Windows
- Sliding Windows in Living Area, Bedroom and Driving Area
- Radius Entrance Door with Clear Glass, Shade and Screen Door
- Power Entrance Double Step with Light
- Slide-Out Room Awning

• Safety Features

- Fire Extinguisher
- LPG, Smoke and Carbon Monoxide Detectors
- 120 Volt GFI Protected Circuit in Kitchen, Bath and Exterior
- Dead Bolt Lock on Entrance Door
- Egress Windows
- Driver and Passenger Three-Point Seat Belts (Lap and Shoulder)
- Extra Large Side View Mirrors with Double Convex

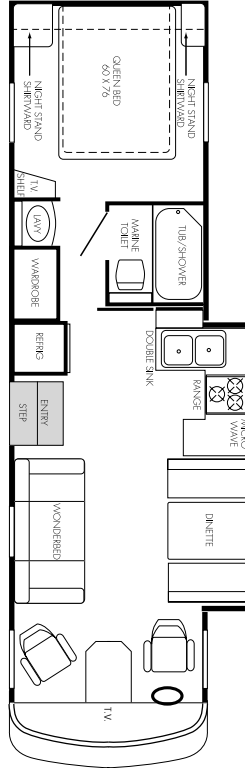
• Plumbing and LPG Systems

- Demand Water System and Water Pump
- Six-Gal. LPG Water Heater with Electronic Ignition (DSI)
- Water Heater By-Pass Valve
- Pressurized Water Fill
- One-Piece Fiberglass Tub/Shower
- Glass Shower Door and Enclosure
- Plastic Toilet with Sprayer
- Heated Systems Compartment with Easy Access to Hook-Ups
- Decorative Kitchen and Bath Faucets
- Holding Tank Rinse System (Black Tank Only)
- Outside Shower in Service Area
- Winterization Antifreeze Inlet to Pump
- Heated Water and Holding Tanks

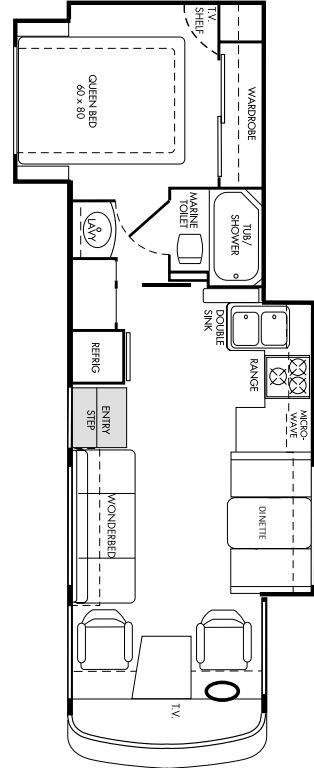


- Flush Mount Three-Burner Range with 21 Inch Oven
- VCR with Remote Control
- Color Coordinated Patio Awning with Metal Cover
- Dining Room Table with Two Wooden and Two Folding Chairs (8330, 8340 and 8341)
- Deluxe Rocker Recliner with Swivel Base (8330 and 8331)
- Attic Fan in Kitchen Area with Wall Thermostat
- 13" Color TV in Bedroom (8310, 8330, 8331 and 8340)
- Dual Pane Windows
- 8 Cu. Ft. Refrigerator with Ice Maker

8310

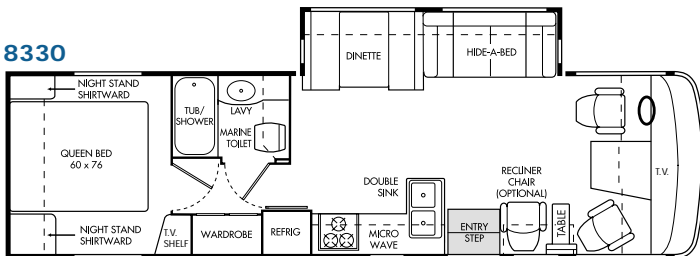


8311

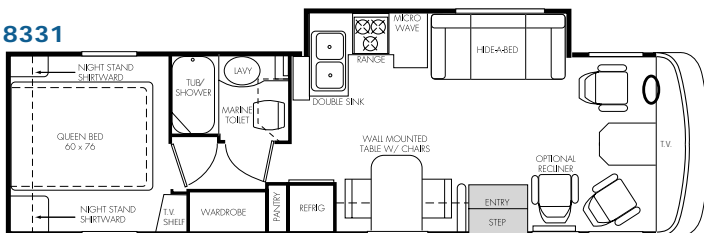


- Floorplans

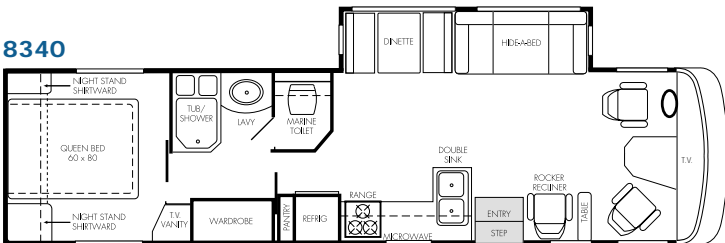
8330



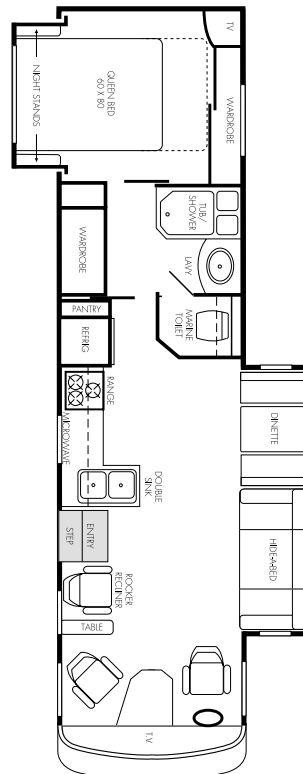
8331



8340



8341



<b>Weights (lbs.)</b>	<b>8310</b>	<b>8311</b>	<b>8330</b>	<b>8331</b>	<b>8340</b>	<b>8341</b>
Gross Vehicle Rating	20,500	20,500	20,500	20,500	20,500	20,500
Gross Combined Rating	25,500	25,500	25,500	25,500	25,500	25,500
Front Gross Axle Rating	7,000	7,000	7,000	7,000	7,000	7,000
Rear Gross Axle Rating	13,500	13,500	13,500	13,500	13,500	13,500
Unloaded Vehicle Weight	15,230	15,850	15,810	15,410	16,100	16,600
Maximum Carrying Capacity	5,270	4,650	4,690	5,090	4,400	3,900
<b>Measurements</b>						
Wheelbase	208"	208"	208"	208"	228"	228"
Overall Length	31' 3"	31' 3"	32' 9"	32' 9"	34' 6"	34' 6"
Overall Height	11' 9"	11' 9"	11' 9"	11' 9"	11' 9"	11' 9"
Interior Height	79½"	79½"	79½"	79½"	79½"	79½"
Interior Width	98½"	98½"	98½"	98½"	98½"	98½"
Exterior Width	102"	102"	102"	102"	102"	102"
<b>Tank Capacities (gal.)</b>						
Water Heater	6	6	6	6	6	6
Gray Tank	40	40	55	55	50	50
Black Tank	41	41	41	41	50	50
Fresh Water Tank(s)	75	75	75	75	90	90
LPG Tank	19	19	19	19	19	19

\*All fuel and liquid capacities are approximate and dimensions may vary. The customer has the responsibility to select the proper combinations of loads without exceeding the chassis weight capacities.



**www.nrvh.com**  
**909.943.6007**

3411 North Perris Blvd. Perris, CA 92571

Due to continued product improvement, National R.V., Inc.  
reserves the right to change materials, colors, specifications  
and prices at any time without notification.

Copyright © 2000, National R.V., Inc. 9/00